



EI2-180 | SINGLE & DOUBLE SWING DOOR

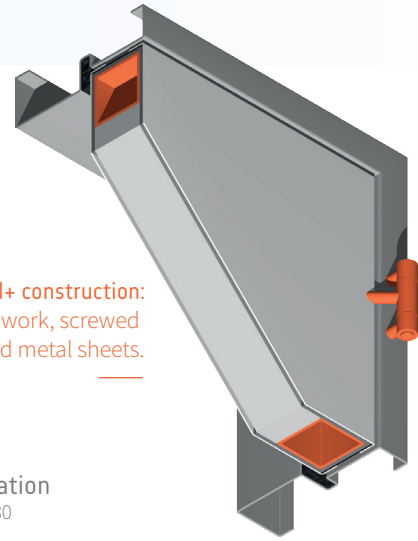
SHEET 008 - Fire resistance EI2-180 (in accordance with EN 1634-1)

Fire resistance

Tests carried out by the University of Liège.



All Heinen doors are constructed on the basis of the METAL+ concept, lending them superior basic performance standards.



Metal+ construction: tubular framework, screwed on hinges and metal sheets.

Basic performance features of the door EI2-180:



Fire resistance (EN 1634-1)
EI2-80



Burglary resistance (EN 1627-1630)
RC2 subject to conditions



Acoustic performance
Basic soundproofing: $R_w = 30$ dB



Airtightness
Level L1



Thermal insulation
T4: Av. U 1.9 W/m²K
(with automatic door bottom seal)



Radiation
EW 180



Frequency of use
200,000 open/close cycles (max. level)
+ durability of automatic closure: C5



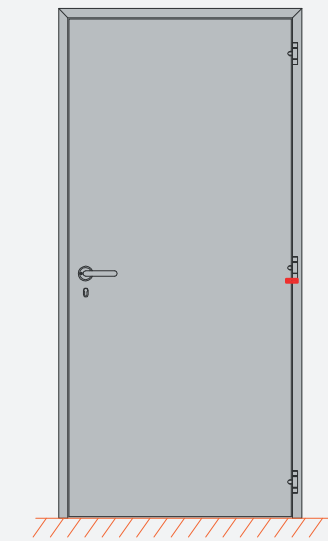
Mechanical resistance
M4 (max. level)



Service life of the door
15-year warranty on the door set

Possible combinations: ● Burglary resistance ● Acoustic performance ● Anti-panic

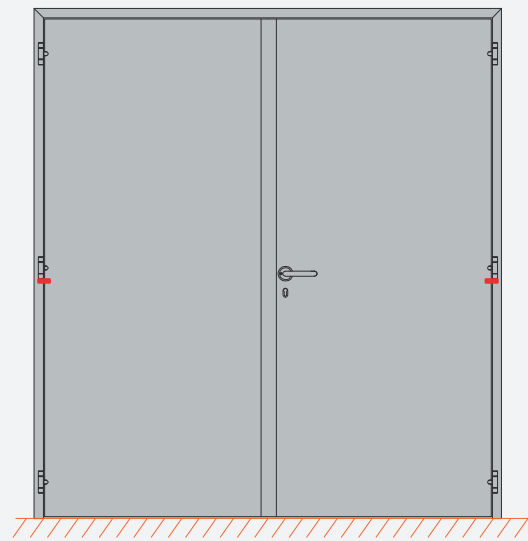
CROSS-SECTION DOOR EI2-180



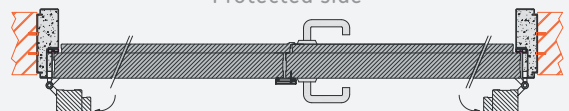
Protected side



Side under attack



Protected side



Side under attack

DOOR DIMENSIONS *(always customised)*

Single door

Maximum dimensions	Width	Height
Leaf	1160	2430
Opening	1270	2508
Minimum dimensions	Width	Height
Leaf	650	1822
Opening	760	1900

Calculation of free passage (excluding combinations) burglary resistance hinge side and non-hinge side:

FP 180° = Width of opening - 140

FP 90° = Width of opening - 250

FP = Height of opening - 90

Double door

Maximum dimensions	Width	Height
Leaf	1280	2430
Opening	2680	2508
Minimum dimensions	Width	Height
Leaf	400	1822
Opening	920	1900

Calculation of free passage (excluding combinations) burglary resistance hinge side:

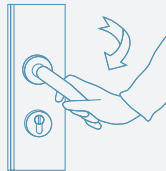
FP 180° = Width of opening - 140

FP 90° = Width of opening - 360

FP = Height of opening - 90

SECURITY LOCKS

Mechanical systems



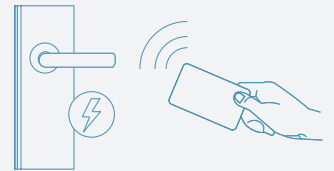
- Standard (one point)
- Anti-panic (1 and 3 points)
- Top and/or bottom lock
- Security (1 and 3 points)

Manual locking

- Self-Security (1 and 3 points)
- Abloy EL 160

Automatic locking

Systems with automatic locking



- Overlock (in combination with Self-Security 1 or 3 points):
Controlled entry: Fail secure.
Free anti-panic exit or controlled exit (Fail secure)

- EL560, 561
Controlled entry: Fail safe or Fail secure.
Free anti-panic exit or controlled exit (Fail idem entry side).

- EL518, EL520
Controlled entry: Fail secure.
Free anti-panic exit or controlled exit (Fail secure).

- EL532
Controlled entry: Fail secure.
Controlled exit: Fail safe.

Solenoid locks

Motorised locks



Fail secure: operation by power supply.

Fail safe: operation by power cut.

POSSIBLE CONFIGURATIONS

Solid version only, no integrated glazing.



Burglary resistance

Tests carried out by the CNPP.
RC2, RC3.



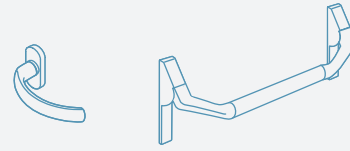
Acoustic performance

Tests carried out by the testing laboratory at the University of Liège.
Soundproofing (Rw) up to 54 dB.
Standard lock, double Shall-Ex, brushes.

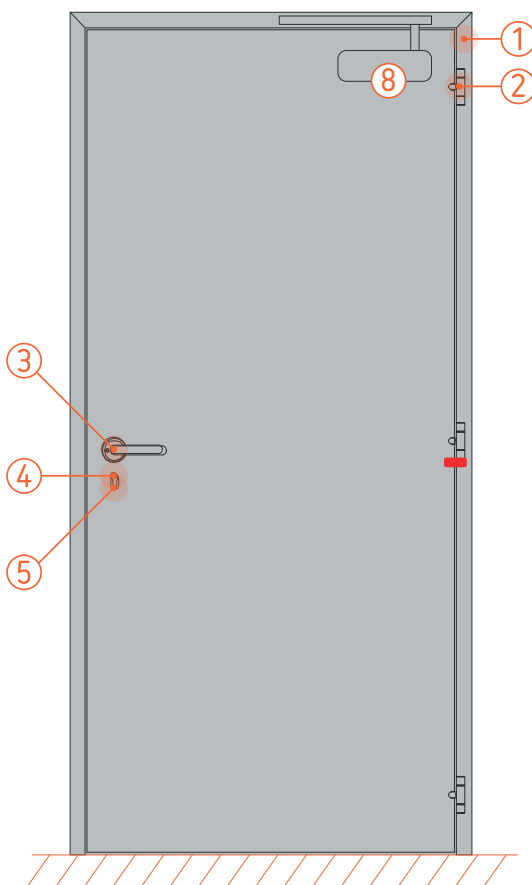


Anti-panic

Anti-panic bar or handle.



FITTINGS



BASIC FITTINGS

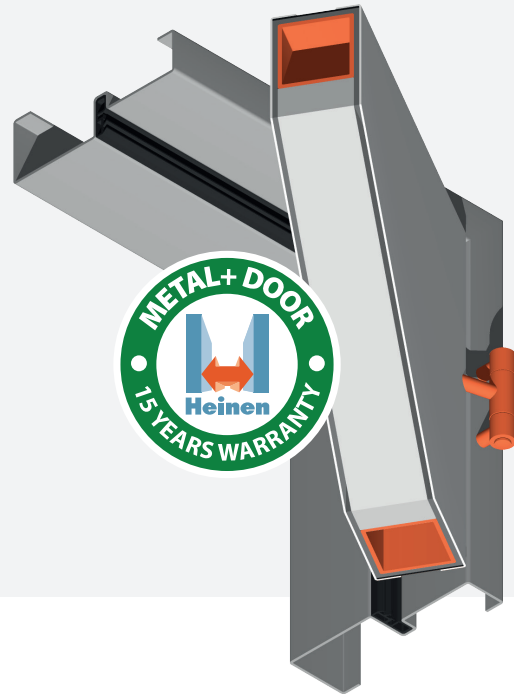
- 1 | **Door frame and leaf finish**
Hot-dip galvanised steel (275 g/m², 20µm thick) or RAL paint.
- 2 | **Hinges**
Minimum three steel hinges, adjustable and replaceable.
- 3 | **Handles**
A set of two U-shaped aluminium handles.
- 4 | **Europrofil cylinder**
Standard.
- 5 | **Backplate**
PVC backplate.
- 6 | **Lock**
Standard 1 point.
- 7 | **Security stud system**
One stud.

OPTIONAL FITTINGS

- 1 | **Door frame and leaf finish**
Stainless steel 304, 316.
- 2 | **Hinges**
One or more hinges can be added; these are always adjustable and replaceable.
Stainless steel hinges.
- 3 | **Handles**
Handles, doorknobs, pull handles etc. in aluminium or stainless steel.
- 7 | **Security stud system**
Stud recommended for external doors.
- 8 | **Door closer**
With scissor arm or sliding arm, fitting on the hinge or non-hinge side, closure selectors, open position maintained etc.
- 9 | **Security locks**
See locks.
- 10 | **Remote surveillance**
Indication of leaf position, locking latch position, indication of leaf status.
- 11 | **Various options**
Soundproof doorsills, door stops, storm chains, impact plates and many other fittings.

BASIC PERFORMANCES OF THE METAL+ DOOR

- **Frequency of use:**
1,000,000 open/close cycles (maximum level)
- **Mechanical resistance:**
M+7 (maximum level)
- **Service life of the door:**
15-year warranty on the door set!
- **Burglary resistance:**
RC2 (subject to conditions)
- **Acoustic performance:**
Basic soundproofing (Rw) = 30 dB
- **Air tightness:**
Level L1
- **Thermal insulation:**
T4: Av. U ≈ 1.9 W/m²K (with automatic door bottom seal)



Heinen doors can combine performance features on a bespoke basis. Depending on your needs, one or more performance features are added to the basic, robust Metal+ door.



Fire resistance



Burglary resistance



Acoustic performance



Bullet-proof



Blast-proof



Electromagnetic



Anti-panic



Smoke tightness



Thermal insulation



Airtightness



Watertightness



Wind resistance



For BIM files, please consult us. Our products are certified **CE**

Heinen technical data sheet | E12-180 - single and double swing door | Sheet 008 - V01EN October 2018

Copyright © EuroDV 2018 | Responsible editor: Eng. Dario Dalla Valle | Non-contractual document.