

Heinen version JPM anti-panic bar

FAHE-GRI-002A - Safety equipment for the control of an anti-panic lock



AREAS OF USE

This equipment is recommended or required for all single-leaf emergency exit systems where there is:

- the possibility of mass panic (public arenas, industrial and commercial establishments, educational, cultural and sporting facilities ...);
- the need for rapid evacuation under all circumstances (electrical rooms, spray cabins, cold rooms ... generally dangerous locations).

Option for use with double doors:

- a single anti-panic bar combined with an automatic locking system and a door closer for fixed leaf (see accessories sheets) is sufficient to release both leaves.

ADVANTAGES

- Equipment selected by Heinen;
- suitable for high frequency use;
- robust and reliable;
- simple and speedy application;
- bar fitted to a steel support;
- easy to grip on closing;
- type A anti-panic closing;
- suitable for adding a fire protection/flame-resistant door set;
- very high resistance to corrosion: 240 HBS;
- bar can be reversed and cut to size on site;
- low projection (< 100 mm).

CERTIFICATION

Certification in accordance with standard EN 1125:

- category of use: grade 3 (high frequency of use);
- endurance: grade 7 (200,000 cycles).

OPERATION

Movement of the anti-panic bar comprises an angle of rotation of $\pm 30^\circ$ when pushed.

This movement is converted into rotation towards the anti-panic lock knob, thus causing the door to be released.

RECOMMENDATIONS

This equipment must always be used in combination with an anti-panic lock (see product sheet).

TECHNICAL FEATURES

Finishes

- silver;
- stainless steel.

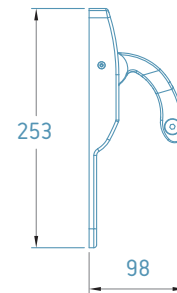
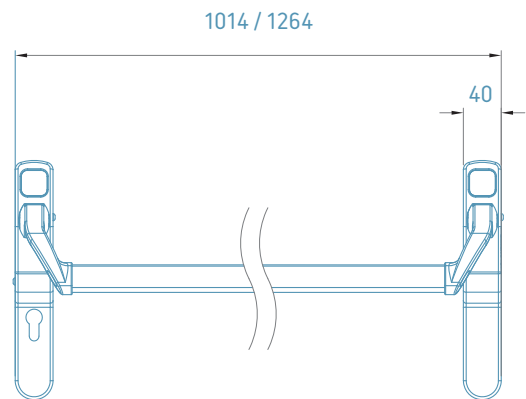
Maintenance

None.

Dimensions

- For locks with a 9 mm square.
- standard bar length 900 mm or large length 1200 mm, can be cut to size.

greenpepper.be



www.heinen-doors.com

For BIM files, please consult us.

Heinen accessory sheet | Anti-panic bar | 2020-12-09_FAHE-GRI-002A - V02EN

Copyright © Heinen 2020 | Non-contractual document.