



EI1-120 | SINGLE & DOUBLE HINGED DOOR

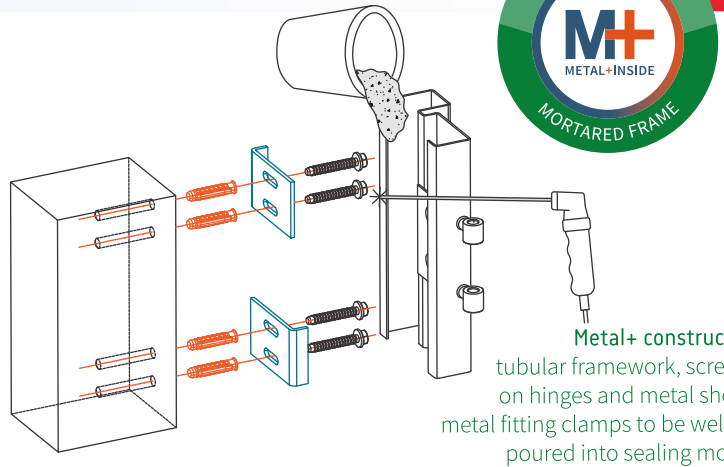
FTHE 0007 | Fire resistance EI1-120 (in accordance with EN 1634-1)

Fire resistance

Tests carried out by the University of Liège.
Classification Report C0054



All Heinen doors are constructed on the basis of the METAL+ concept, lending them superior basic performance standards.



Metal+ construction: tubular framework, screwed on hinges and metal sheets, metal fitting clamps to be welded, poured into sealing mortar.

Basic performance features of the door EI1-120

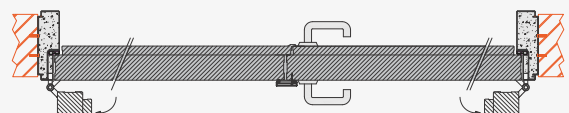
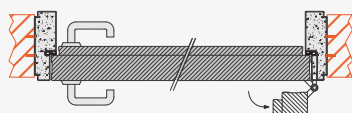
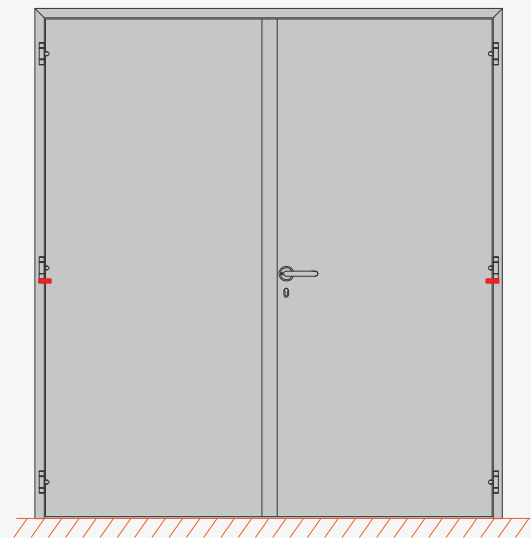
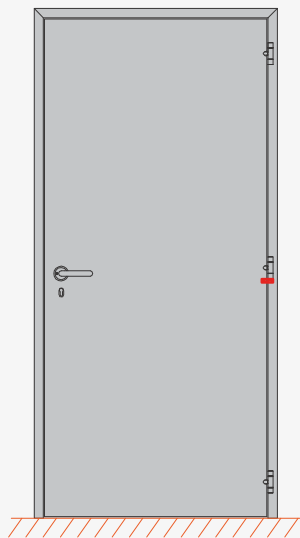
- Fire resistance (EN 1634-1) EI1-120
- Burglary resistance (EN 1627-1630) RC2 subject to conditions
- Radiation EW 180
- Frequency of use 200,000 open/close cycles + durability of automatic closure: C5
- Mechanical resistance - M4 (maximum normative level)
- Service life of the door 15-year warranty on the door set

With automatic Kältefeind threshold

- Acoustic performance Basic soundproofing: - single door RW = 36dB - double door RW = 30dB
- Airtightness - single door minimum L2 - double door minimum L2 (with door closer)
- Thermal insulation Value between 1.5 and 1.9 W/m²K (depending on dimensions)

Possible combinations: ● Burglary resistance ● Bullet-proof ● Acoustic performance ● Anti-panic ● Smoke tightness

CROSS-SECTION EI1-120 DOOR (DRHE 0007)



DOOR DIMENSIONS *(always customised)*

Single door

	Min. dimensions		Max. dimensions		Max. surf.
	W	H	W	H	
Leaf	400	937	1450	3035	3.76m ²
Opening	513	1015	1560	3113*	

Calculation of clear passage (excluding combinations):

FP 180° = Width of opening - 140

FP 90° = Width of opening - 250

FP = Height of opening - 90

Please note that the surface area stated for double doors is the sum of the surface areas of the two door leaves. Construction support with a minimum thickness of 140 mm and a minimum density of 480 Kg/m³ or a construction support with a minimum thickness of 120 mm and a minimum density of 2020 Kg/m³.

*For stainless steel doors, max leaf height = 2960 mm.

All external fire doors are CE marked. The dimensions of the leaves indicated in the "CE Certificate" or the Efectis classification certificates may vary from the University of Liège classification reports. For more details, see DOHE 012: Minimum and maximum dimensions of fire doors to EN 1634-1.

Double door

	Min. dimensions		Max. dimensions		Max. surf.
	W	H	W	H	
Leaf	400	937	1450	3035	7.52 m ²
Opening	920	1015	3020	3113*	

Calculation of clear passage (excluding combinations):

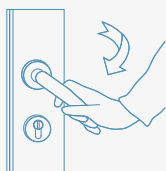
FP 180° = Width of opening - 140

FP 90° = Width of opening - 360

FP = Height of opening - 90

SECURITY LOCKS

Mechanical systems



Standard (one point)

Anti-panic  (1 and 3 points)

Top and/or bottom lock

Security (1 and 3 points)

Manual
locking

ABLOY EL160  , **EL360** 

Self-Security (1 and 3 points)

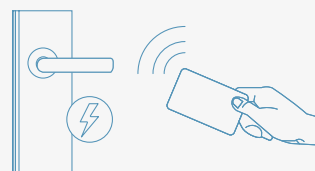
Automatic
locking

 **ABLOY**[®]

Fail secure: operation by power supply.

Fail safe: operation by power cut.

Electrical systems with automatic locking



ABLOY EL560  , **EL561**

Controlled entry: Fail safe or Fail secure.
Free anti-panic exit or controlled exit
(Fail idem entry side).

Overlock (in combination with
Self-Security 1 or 3 points):

Controlled entry: Fail secure.
Free anti-panic exit or controlled exit
(Fail secure)

Solenoid
locks

ABLOY EL518  , **EL520** 

Controlled entry: Fail secure.
Free anti-panic exit or controlled exit
(Fail secure).

Motorised
locks

ABLOY EL532

Controlled entry: Fail secure.
Controlled exit: Fail safe.

WINDOW CONFIGURATIONS

Solid version only, no integrated glazing.

DETAILS OF MAIN COMBINATIONS



Burglary resistance

Tests carried out by the CNPP.
RC2, RC3.



Smoke tightness

Sa, Sm (S200).
Doorbottom seal.



Acoustic performance

Tests carried out by the testing laboratory at the University of Liège.
Soundproofing (Rw) up to 54 dB.
Standard lock, double Shall-Ex, brushes.



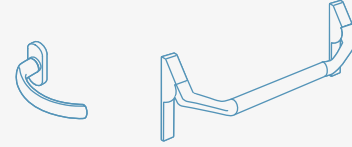
Anti-panic

Pushbar or handle.

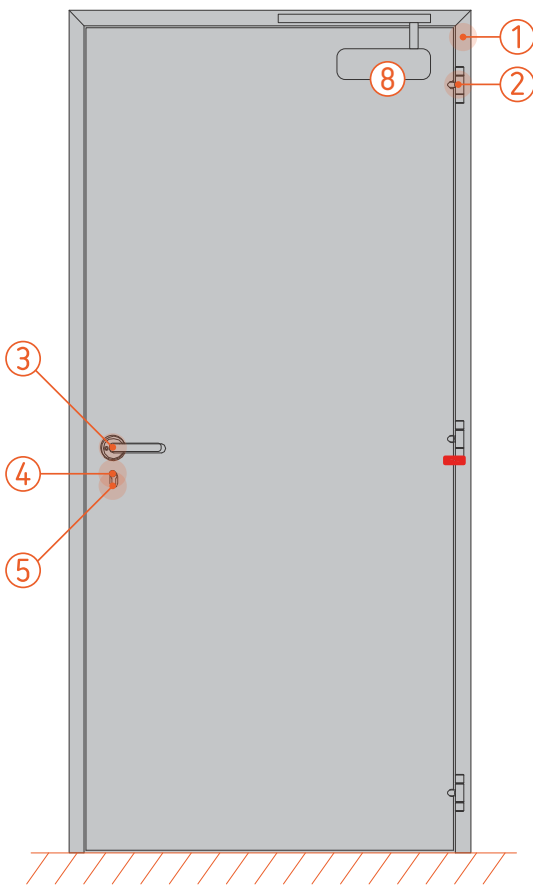


Bullet-proof

Please feel free to contact us.



FITTINGS



BASIC FITTINGS

- 1 | **Door frame and leaf finish**
Magnelis® Hot-dip galvanised ZM 250 steel (250g/m², 20µm thick).
- 2 | **Hinges**
Minimum three screwed steel hinges, adjustable and replaceable.
- 3 | **Handles**
A set of two U-shaped aluminium handles.
- 4 | **Europrofil cylinder**
Standard.
- 5 | **Backplate**
PVC backplate.
- 6 | **Lock**
Standard 1 point.
- 7 | **Security stud system**
One stud.

OPTIONAL FITTINGS

- 1 | **Door frame and leaf finish**
Stainless steel 304, 316 or RAL paint.
- 2 | **Hinges**
One or more hinges can be added; these are always adjustable and replaceable.
Stainless steel hinges.
- 3 | **Handles**
Handles, doorknobs, pull handles etc. in aluminium or stainless steel.
- 7 | **Security stud system**
Stud recommended for external doors.
- 8 | **Door closer**
With scissor arm or sliding arm, fitting on the hinge or non-hinge side, closure selectors, open position maintained etc.
- 9 | **Security locks**
See locks.
- 10 | **Remote surveillance**
Indication of leaf position, locking latch position, indication of leaf status.
- 11 | **Various options**
Soundproof doorsills, door stops, storm chains, impact plates and many other fittings.

Heinen doors can combine performance features on a bespoke basis. Depending on your needs, one or more performance features are added to the basic, robust Metal+ door. Some performances are only available with the welded and mortar filled installation method.



Fire resistance



Burglary resistance



Acoustic performance



Bullet-proof



Blast-proof



Electromagnetic



Anti-panic



Smoke tightness



Thermal insulation



Airtightness



Watertightness



Wind resistance



www.heinen-doors.com