



# FIRE RESISTANT DOORS AS PER EN 1634-1 | MAXIMUM CLEARANCE

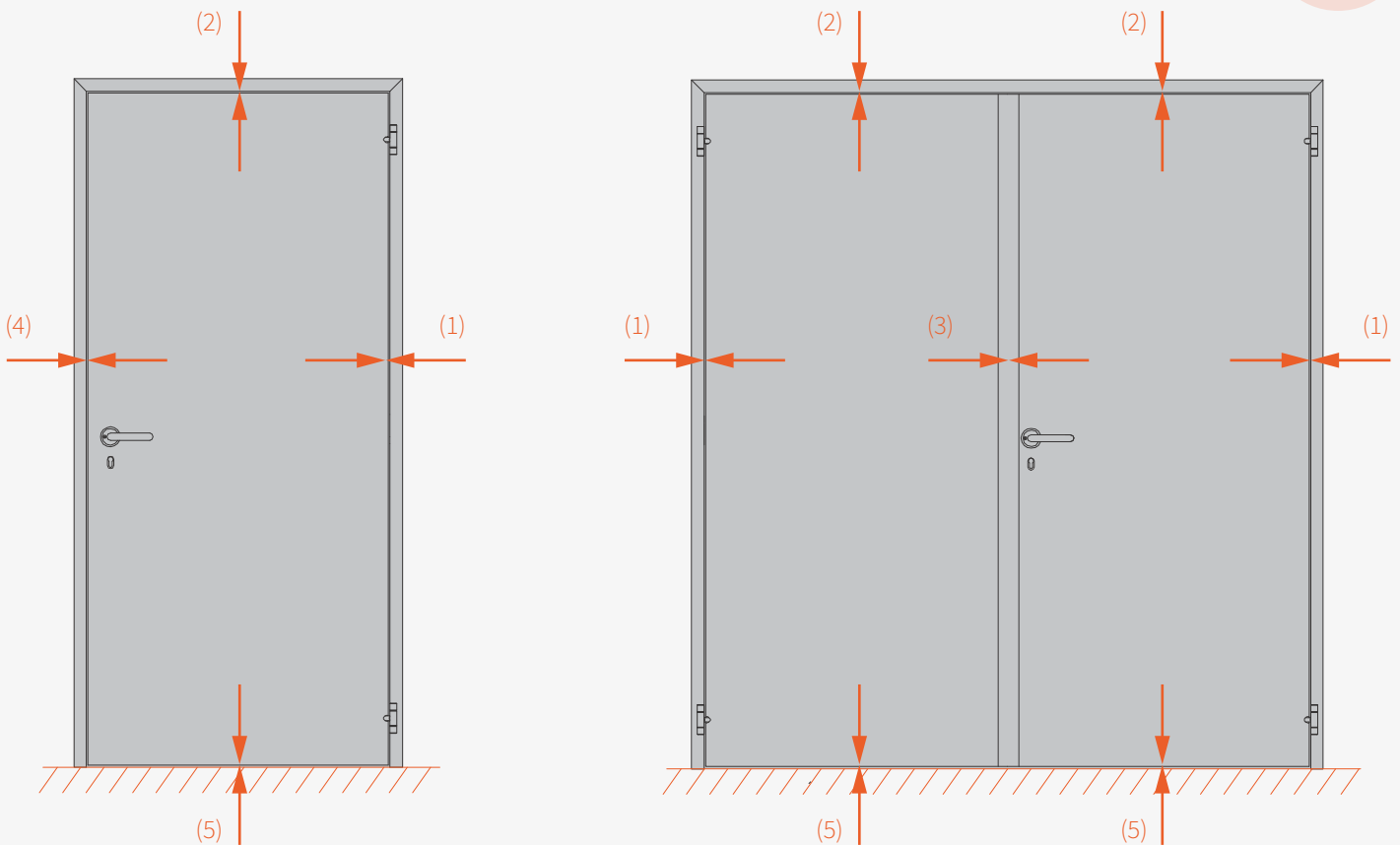
## DOHE 010 - Maximum clearance



Fire resistance

### Maximum clearance (in mm)

	EI1 30 / EI2 30 / EI2 60		EI1 60 Europe	EI2 120		EI1 120 / EI2 180	
	Europe	France		Europe	France	Europe	France
(1) Side jamb hinge side	8.9	8	8.7	8	7	8.3	7.7
(2) Head jamb	8.9	8	8.7	8	8	8.3	8.7
(3) Side jamb lock side (2 leaves)	13.3	12	13.4	12.7	12.5	9.9	8.7
(4) Side jamb lock side (1 leaf)	8.9	8	8.7	8	6.5	8.3	7.2
(5) Threshold	13.4	12	13.1	12.4	8	10.7	10.7
Minimum bolddepth	/	8	/	/	/	/	/



[www.heinen-doors.com](http://www.heinen-doors.com)