



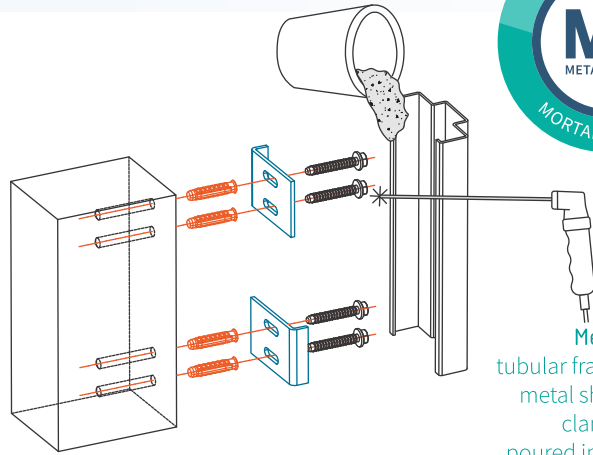
METAL+ | SINGLE & DOUBLE TWO-WAY DOOR

FTHE 0300 | Metal+ two-way door

Metal+



All Heinen doors are constructed on the basis of the METAL+ concept, lending them superior basic performance standards.



Metal+ construction: tubular framework, screwed metal sheets, metal fitting clamps to be welded, poured into sealing mortar.

Basic performance features of the Metal+ door:



Frequency of use

Up to 500,000 open/close cycles
(Based on tests of the GEZE TS 550NV FP soil pivot)



Mechanical resistance

Enhanced mechanical resistance



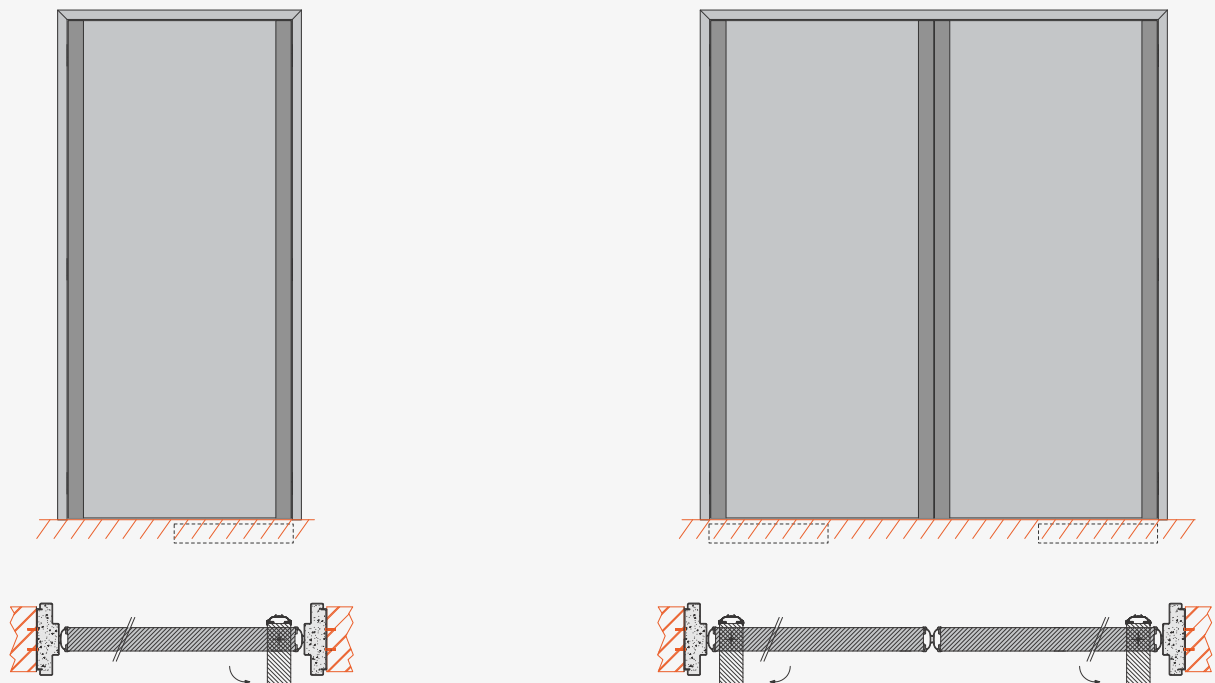
Service life of the door

15-year warranty on the door set

Possible combination:

- Fire resistance

CROSS-SECTION METAL+ TWO-WAY DOOR (DRHE 0300)



DOOR DIMENSIONS *(always customised)*

Single door

Maximum dimensions	Width	Height
Leaf	1450	2890
Opening	1640	2988

Minimum dimensions	Width	Height
Leaf	400	600
Opening	590	698

Calculation of clear passage:

FP 90° = Width of opening - 255

FP = Height of opening - 90

Double door

Maximum dimensions	Width	Height
Leaf	1450	2890
Opening	3140	2988

Minimum dimensions	Width	Height
Leaf	400	600
Opening	1040	698

Calculation of clear passage:

FP 90° = Width of opening - 370

FP = Height of opening - 90

Construction support with a minimum thickness of 190 mm and a minimum density of 480 kg/m³.

On request, larger / smaller doorsets are also available without a certificate, this is also valid for the wall thicknesses.

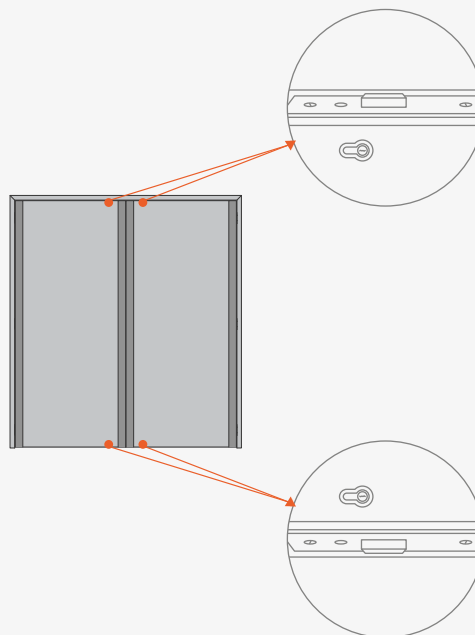
SECURITY LOCKS

Mechanical systems

Top and/or bottom lock *

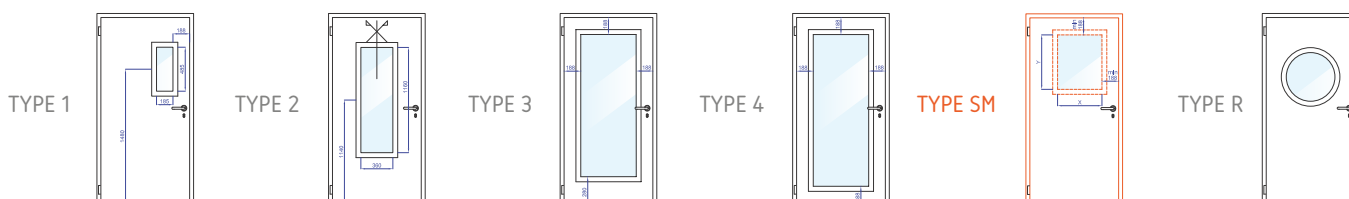
*Compatibel with Electronic lock Fail safe.

Manual locking



WINDOW CONFIGURATIONS

Solid or glazed. Standard sizes or customised windows (SM).



DETAILS OF MAIN COMBINATIONS

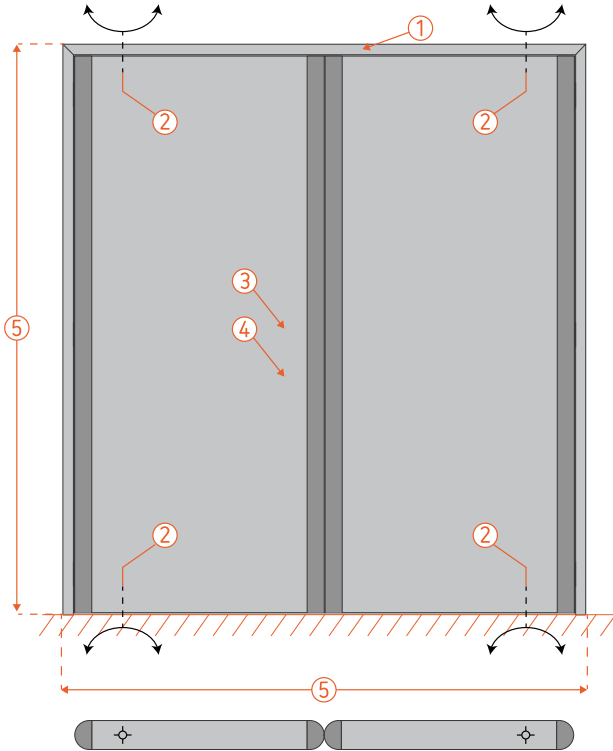


Fire resistance

Tests carried out by the fire resistance testing laboratory at the University of Liège.
E11-30 - E11-60
E12-30 - E12-60

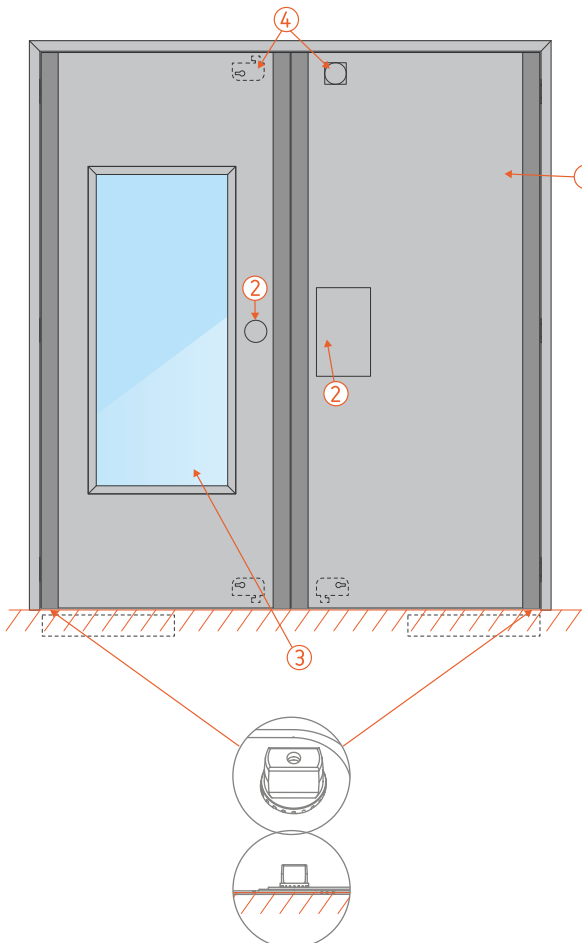


FITTINGS



BASIC FITTINGS

- 1 | **Door frame and leaf finish**
Magnelis® Hot-dip galvanised ZM 250 steel (250g/m, 20m thick).
- 2 | **Pivot hinges**
Two stainless steel pivot hinges (one pivot hinge in the floor and one in the frame).
The pivot hinges serve as door closers.
- 3 | **Handles**
No handles.
- 4 | **Lock and cylinder**
No lock.
- 5 | **Double door**
One double swing door has two operating leaves; there is no priority leaf.
Note: for reasons of safety, we recommend a little peep-hole (glazing).



OPTIONAL FITTINGS

- 1 | **Door frame and leaf finish**
Stainless steel 304, 316 or RAL paint.
- 2 | **Handles**
Doorknobs, pull handles etc. in aluminium or stainless steel.
Push plate in stainless steel.
- 3 | **Glazing**
Peep-hole glazing (standard size/custom-made), extensively glazed doors, many types of glazing.
- 4 | **Locks and closing systems**
Magnetic retainer / No lock (closes thanks to pivot hinges only) / High and/or low locks (closes with deadbolt only).
- 5 | **Remote surveillance**
Indication of leaf position.
- 6 | **Various options**
Door stops, impact plates.

Heinen doors can combine performance features on a bespoke basis. Depending on your needs, one or more performance features are added to the basic, robust Metal+ door. Some performances are only available with the welded and mortar filled installation method.



Fire resistance



Burglary
resistance



Acoustic
performance



Bullet-proof



Blast-proof



Electromagnetic



Anti-panic



Smoke
tightness



Thermal
insulation



Airtightness



Watertightness



Wind
resistance



www.heinen-doors.com

For BIM files, please consult us.

Heinen product sheet | METAL+ | SINGLE & DOUBLE TWO-WAY DOOR | 2024-03-14_FTME 0300 - V06EN

Copyright © Heinen 2024 | Non-contractual document.